



THÔNG SỐ KỸ THUẬT THIẾT BỊ HỆ THỐNG BẢO NGẮT GAS TỰ ĐỘNG SHT-820-2, SHT-202, ASV



CÔNG TY TNHH THIẾT BỊ GAS Á CHÂU
ASIA GAS EQUIPMENT CO.,LTD

Copyright© 2016 by Asia Gas.

www.asiagas.com.vn

HỆ THỐNG BẢO NGẮT GAS TỰ ĐỘNG

SHT-820-2, SHT-202, ASV



BỘ ĐIỀU KHIỂN SUNGHWA SHT-820-2 & VAN NGẮT TỰ ĐỘNG SHT-820A

GAS LEAKAGE DETECTOR

GAS SHUT-OFF DEVICE WITH GAS LEAKAGE DETECTOR(15A, 20A, 25A)

■ AUTO SHUT-OFF VALVE ■ MODEL : SHT-820A

FEATURES

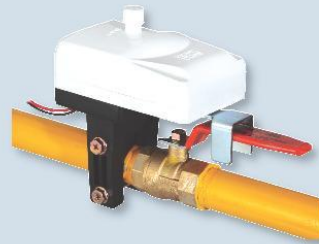
- Functions of long-range opening/closing and automatic shut-off during gas leakage.
- The controller confirms the status of opening/closing.
- The quick shut-off function prevents accidents in advance.
- The monitoring unit can be additionally extended from basic two lines (Option).
- Minimize the exterior size and consumption electric power.
- SHT-820A can be applied to automatic control motor valve systems in every plant, and heating and cooling facilities.



SHT-820



SHT-ASV(P)



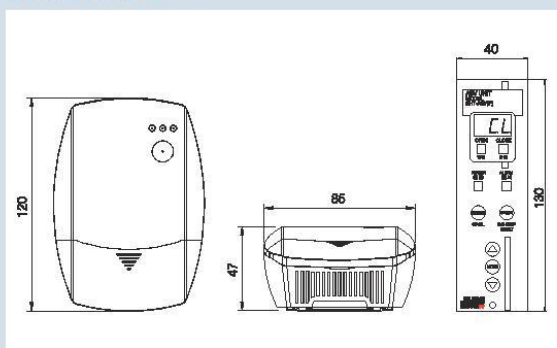
SPECIFICATION CONTROLLER

| **Model No.** | SHT-820A(2Channels as basic), Wall-mounted type
 | **Model No.** | SHT-ASV(P)(SHT-970 panel insertion type)
 | **Type** | Gas leakage shut-off device with gas leakage detector
 | **Operating power** | 110~220V.AC, 50/60Hz
 | **Consumption electric power** | During normal operation(0.5W) / During an alarm(2W)
 | **Control Type** | Time control type(30sec)
 | **Receive Type** | Voltage memory type
 | **Alarm Input** | 1, 2Channel
 | **Alarm Type** | Buzzer alarm type
 | **Output Signal** | 12V.DC
 | **Display Type** | (LED) Opened: Green, Close: Yellow, Alarm: Red
 | **Open/Close Type** | Automatically closed during manually open/close or alarm input
 | **Operating Temp /Humi** | -40°C~+70°C/ Less than 95%
 | **Power Input Cable** | 110~220V.AC - 2wire
 | **Detector Input Cable** | 2wire - AC type single detector or detachable detector
 | | 3wire - DC type single detector
 | **Shut-off Device Output** | 2wire(Red+, Black-)
 | **Weight** | 0.15Kgs

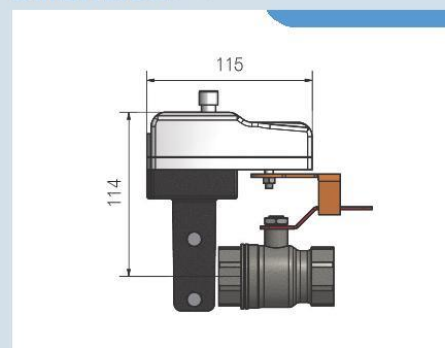
SPECIFICATION SHUT-OFF DEVICE

| **Model No.** | SHT-815A, 820A, 825A
 | **Operating power** | 12V.DC
 | **Gas pipe size** | 15A, 20A, 25A
 | **Shut-off Time** | Less than 15sec
 | **Open/Close Angle** | 90°(Limit switch type)
 | **Body material** | PC/ABS ejection
 | **Gear material** | Poly Acetyl Copolymer
 | **Use Valve** | Ball valve
 | **Operating Type** | Handle operation method
 | **Installation Type** | Cable bolt tightening type
 | **Operating Temp /Humi** | -40°C~+70°C/ Less than 95%
 | **Cable** | CVW or VCTF 1.5sq x 2wire
 | **Weight** | 0.35Kgs

DIMENSION (mm)



DIMENSION (mm)



ĐẦU DÒ GAS SUNGHWA SHT-202

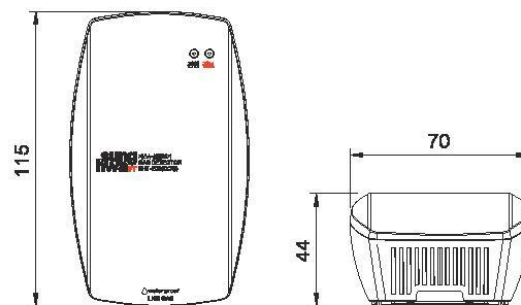
GAS DETECTOR

AC Single Type DC Single Type

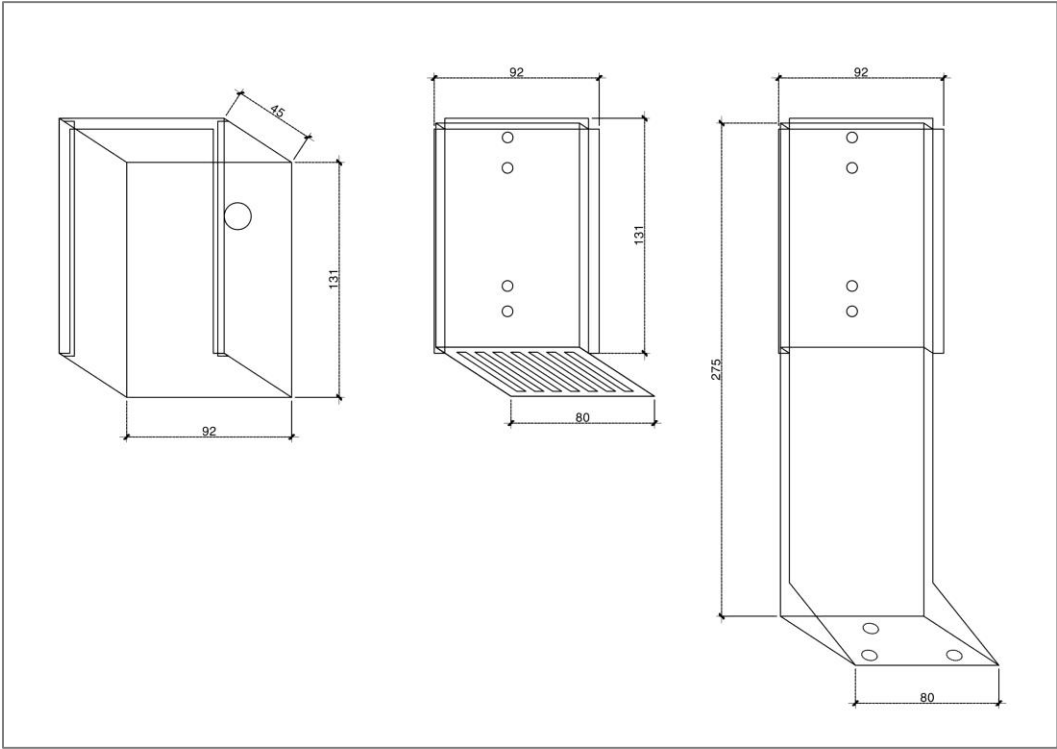
- | Model | SHT-201 (AC Type), SHT-202 (DC Type)
- | Type | 12V.DC, Single type, Waterproof, Diffusion type,
Catalytic combustion cell type, Immediately Alarm type
- | Measuring gases | LNG, LPG
- | Operating power | 220/110V.AC (AC Type), 12V.DC (DC Type)
- | Measuring range | 0~100% (LEL)
- | Alarm setting | 20% (LEL)
- | Alarm density | LNG (0.06~1.25%) / LPG (0.06~0.45%)
- | Alarm method | Buzzer sound - Automatic reset,
Alarm of flickering / Leakage LED - Yellow flickering
- | Cable color | 12V.DC (White-plus), 0V (Black-minus) - AC Type
12V.DC (Red-plus), 0V (Black-minus), 12V.DC (White-Signal) - DC Type
- | Signal output | 12V.DC (White-plus, Black-minus)
- | Alarm display | Power (LED green-on), Alarm (LED yellow flickering)
- | Power consumption | Normal (2W) / Alarm (2.1W)
- | Safety | Over current off, Overheating prevent logic
- | Alarm sound | Over 70dB
- | Fuse | 0.3A (300mA)
- | Usable area | 17m²
- | Alarm density point | LEL (%) below (1/4)
- | Operating Temp / Humi¹ | -20°C ~ +40°C / below 85% RH
- | Applications Use | Apartment, Office building, Multi-family homes, Condominiums,
Home automation facilities, etc.
- | Weight | 0.15Kgs



DIMENSION (mm)



HỘP INOX BẢO VỆ ĐẦU DÒ GAS



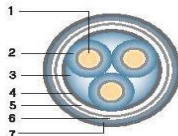
DÂY TÍN HIỆU SANGJIN

60227 KS IEC (74) _ KS C IEC 60227-7

300/500V 오일내성 비닐시스 (비)차폐 유연성 케이블 / 300/500V Oil-Resistant PVC Sheathed Screened and Unscreened Flexible Cables



60227 KS IEC 74



- 1. 도 체
- 2. 절연체
- 3. 개재물
- 4. 테이프
- 5. 내부시스
- 6. 동편조
- 7. 시 스

종류 및 기호

60227 KS IEC 74 차폐 케이블 (70℃)

적용범위

AC 300/500V 이하의 기계공구와 기계적 조정장비를 포함하는 제조의 목적에 사용되는 기계부품들의 상호연결을 하는데 사용.

구 조

1. 도 체 : 5등급 (집 · 복합연선) 연동선
2. 절연체 : PVC
- 연 합 : 절연된 선심을 원형으로 연합
3. 내부시스 : PVC
4. 차 폐 : 동 편조
5. 시 스 : 오일내성 PVC

선심식별

녹/황 선심을 제외한 모든 선심은 번호로 표시

최고허용온도 : 70℃

적용규격 : KS C IEC 60227-7

제품인증

한국산업규격

APPLICATION

This main purpose of these cables is for the interconnection of parts of machines used for manufacturing purpose, including machine tools and mechanical handling equipment.

CONSTRUCTION

1. Conductor : Flexible Stranded Annealed Copper (Class 5)
2. Insulation : PVC (Poly Vinyl Chloride, 70℃)
Assembly : Multi-cores of cable shall be assembled to form a circular cable.
3. Inner Sheath : PVC (Poly Vinyl Chloride)
4. Shield : The copper braid shield is applied around the assembled cable.
5. Sheath : PVC (Oil-Resistant PVC, 60℃)
The sheath may fill the interstices between the cores but it shall not adhere to the cores.

CORE IDENTIFICATION

Numbering code on all cores without green/yellow core

MAXIMUM ALLOWABLE TEMPERATURE : 70℃

STANDARD : KS C IEC 60227-7

CERTIFICATE

Korean Industrial Standards

CLASSES AND SYMBOLS

60227 KS IEC 74 300/500V Oil-Resistant PVC Screened Flexible Cable (70℃)

PVC Insulated Flexible Cords / PVC Insulated Wire

SANGJIN Electric wire & cable_13

SCREENED TABLE

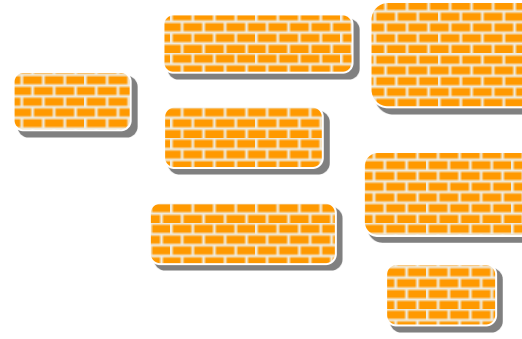
구 호 Symbol	도체 Conductor				절연체 두께D중값 Insulation Thickness	시스 두께D중값 Sheath Thickness	최대 소선경 Maximum Diameter of wire	시스 두께D중값 Sheath Thickness	평균원성의경 Mean Overall Diameter		최대도체저항 Max. Conductor Resistance at 20℃		절연저항 Insulation Resistance at 70℃
	공칭 단면적 Nominal Sectional Area (mm ²)	도체등급 Conductor Class	최대 소선경 Maximum Diameter of Wire (mm)	외경(약) Approx. Diameter (mm)					하한값 Lower Limit (mm)	상한값 Upper Limit (mm)	동선 Copper (Ω.km)	동선 Tin-coated copper (Ω.km)	
	2×0.5		0.21	0.9	0.6	0.7	0.16	0.9	7.7	9.6	39.0	40.1	0.013
	3×0.5		0.21	0.9	0.6	0.7	0.16	0.9	8.0	10.0	39.0	40.1	0.013

ỐNG BAO DÂY LỖ KẼM BẢO VỆ DÂY TÍN HIỆU



Product details

SIZE	ID(mm)		OD(mm)	OD(mm)		Bending Radius (m)
	MIN	MAX	MIN	MIN	MAX	
1/4"	9.7	10.2	13.5	14.4	14.7	45
3/8"	12.3	12.7	15.6	16.7	17.2	50
1/2"	15.8	16.2	19.3	20.2	20.7	65
3/4"	20.7	21.1	24.3	25.5	26.1	75
1"	26.2	26.8	30.2	31.6	32.2	100
1 1/4"	34.7	35.3	39	40.8	41.5	125
1 1/2"	40	40.7	45.4	46.6	47.2	150
2"	50.8	51.6	57	58.1	58.7	175
2 1/2"	63	63.6	70.2	71.8	72.4	200
3"	78	78.7	85.2	87.2	87.9	225
4"	101.6	102.6	108.5	111.2	112.3	275



CÔNG TY TNHH THIẾT BỊ GAS Á CHÂU
ASIA GAS EQUIPMENT CO.,LTD

Địa chỉ: 77 đường 7A, P. Bình Trị Đông B, Q. Bình Tân, TP. HCM

**Văn phòng: 111/5 Lũy Bán Bích, P. Tân Thới Hòa, Q. Tân Phú,
TP. HCM**

Điện thoại: (08) 66835220 – 0906 372 172

Email: asiagas@yahoo.com.vn – anhhuynh89859@gmail.com

Website: www.asiagas.com.vn – www.thietbigas.com.vn